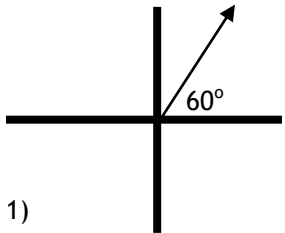
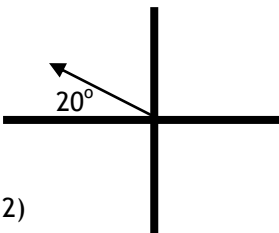
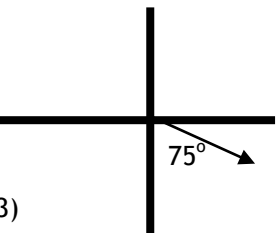
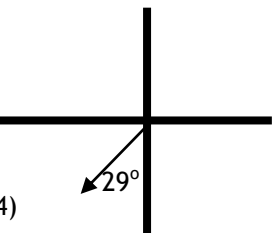
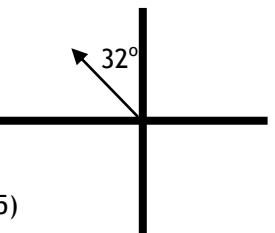


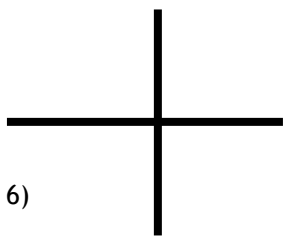
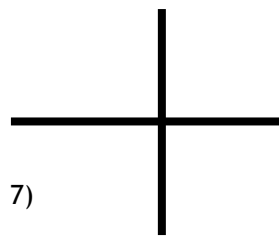
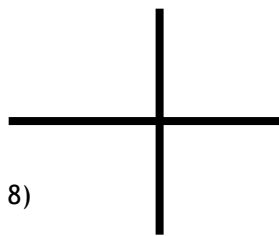
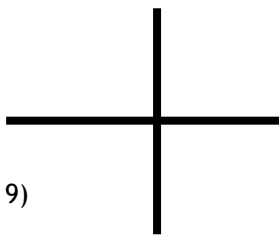
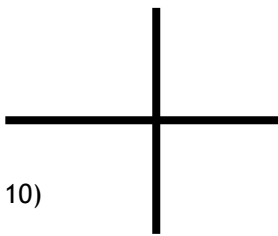
Physics Unit 3: Vectors and 2D Kinematics
 Trig Review and 1D Vectors

Name: _____
 1 2 3 4 5 6 7 8

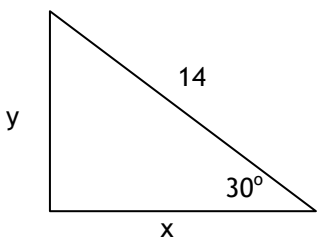
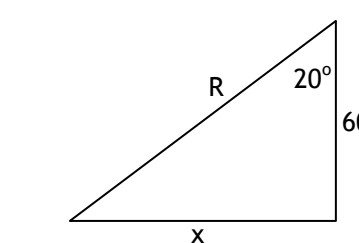
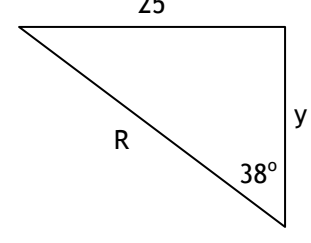
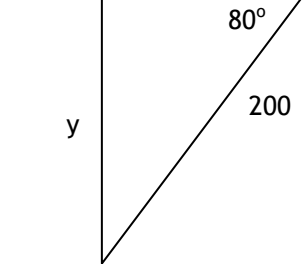
Part I: Name the angles two different ways

1)		2)		3)		4)		5)	
_____		_____		_____		_____		_____	
_____		_____		_____		_____		_____	

Part II: Draw the following angles

6)		7)		8)		9)		10)	
	42° S of W		70° E of N		28° W of N		5° E of S		30° N of W

Part III: Trig review-Finding Sides

			
--	---	--	---

x= _____

x= _____

R= _____

x= _____

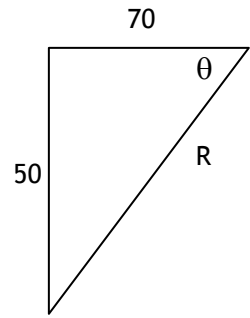
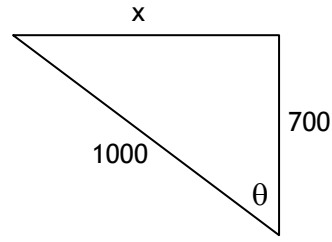
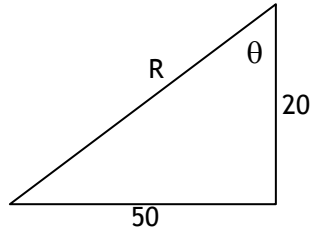
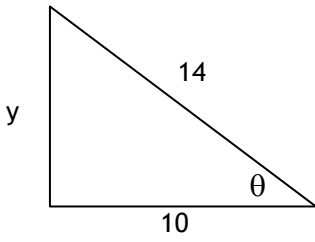
y= _____

R= _____

y= _____

y= _____

Part IV: Finding Angles and Sides



$\theta =$ _____

$R =$ _____

$x =$ _____

$R =$ _____

$y =$ _____

$\theta =$ _____

$\theta =$ _____

$\theta =$ _____

Part V: 1D Vector Addition - For each of these problems, draw the vectors!

1. While searching for barbarians, Maximus walks 8 km N, and then 10 km E. What is his distance traveled? What is his overall displacement? What is the direction of his displacement?
2. Maximus has found barbarians! He chases them 12 km E, but they outsmart him and get past his lines. He has to chase them back 7 km W. What is his distance traveled? What is his overall displacement? Include a direction!
3. The barbarians have retreated! They run 15 km N, but the Phoenix Legion catches up with them. The barbarians keep running and run 8 more km N. What distance did their retreat cover? What was their displacement? Remember to include a direction!
4. Finally, Maximus has achieved victory and is allowed to go home. His home is 25 km E and 55 km S of the battlefield. What is the shortest distance and direction Maximus can travel to get home?