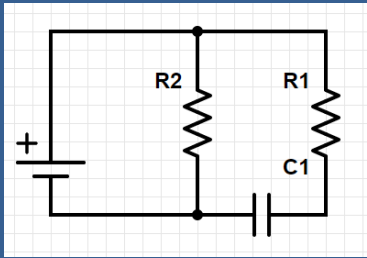
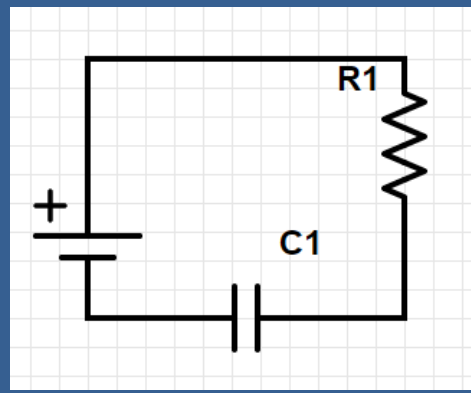
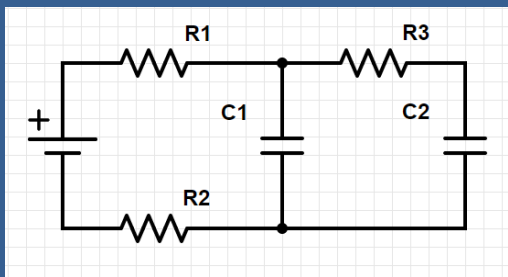
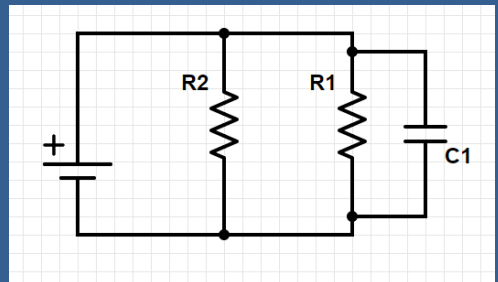


	V	I	R
Total	10		
R1			5
Q C V			
C1	1 C		



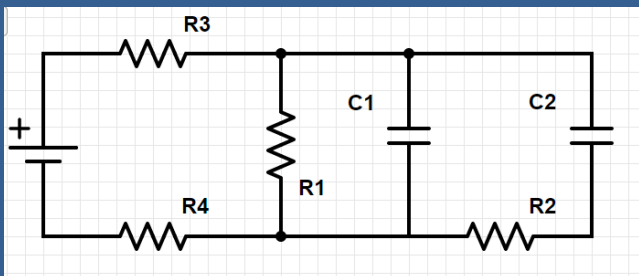
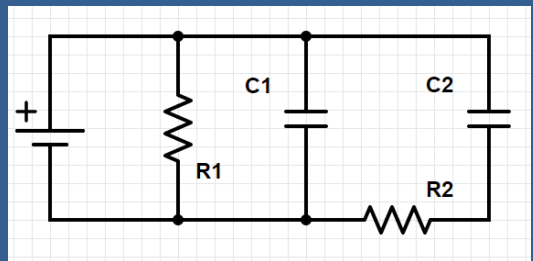
	V	I	R
Total			
R1			3
R2	15		5
Q C V			
C1		2 F	

	V	I	R
Total			
R1			4
R2			2
Q C V			
C1		2 F	12 V



	V	I	R
Total	6		
R1			1
R2			2
R3			4
Q C V			
C1		6 F	
C2	2 C		

	V	I	R
Total			
R1			10
R2			20
Q C V			
C1	4 C		20 V
C2		8 F	



	V	I	R
Total	24		
R1			5
R2			4
R3			3
R4			4
Q C V			
C1	2 C		
C2	4 C		