

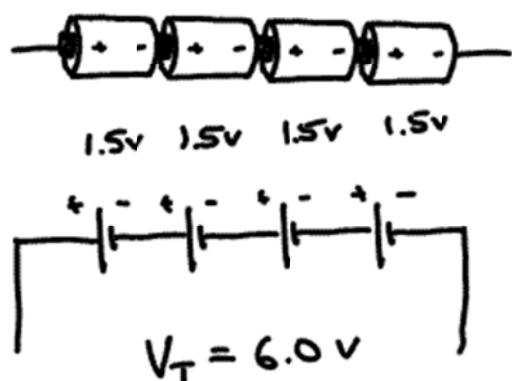
AP Physics - Electricity - Batteries in Series and Parallel

Note Title

3/19/2008

Series

Batteries develop a potential difference between two terminals. If two batteries are placed in series, the two potential differences add:



Parallel

Identical batteries placed in parallel have the same voltage across the terminals.

Advantage - Multiple batteries allow for more stored energy \rightarrow longer battery life.

Disadvantage - If one battery has a slightly lower voltage, the others will feed current through it in the wrong direction. This could damage the battery.

