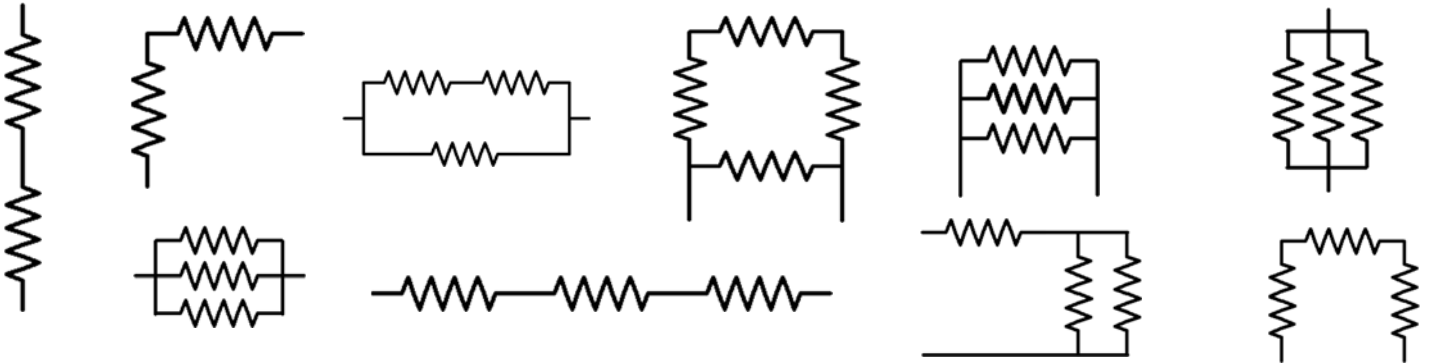
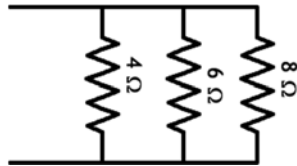
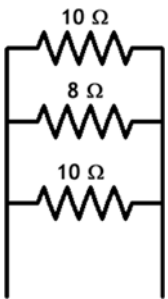


Part 1: Identify the following combinations of resistors below as series, parallel, or complex.



Part 2: Find the equivalent resistances below.



Part 3:

- i) Find the total resistance and total current in the circuit.
- ii) Show the direction of the conventional current through the circuit.

